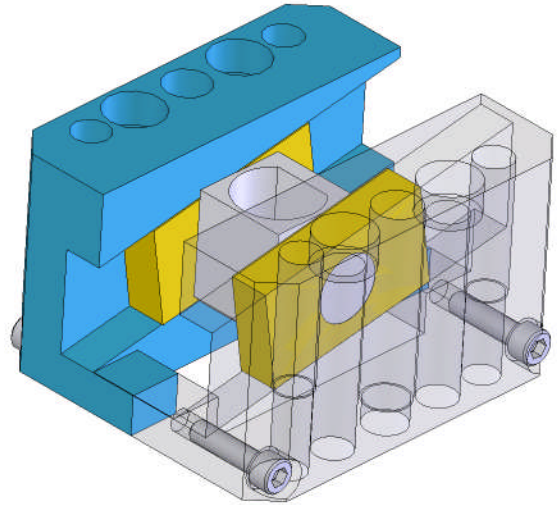
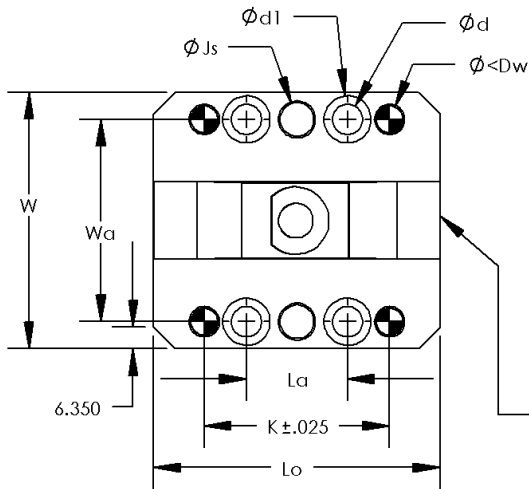
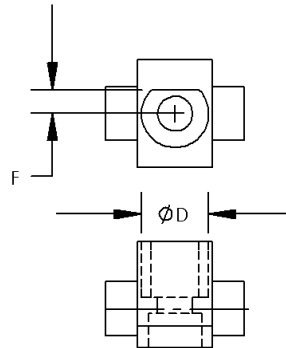
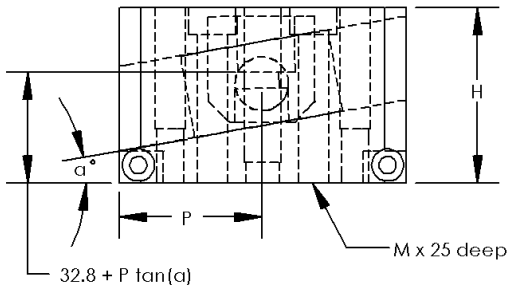


**Saves Build Time!**

- 0 - 10 degrees preset angle of travel
- Accommodates lifter rod angles of up to 30 degrees



Spacer removes to increase travel



**Materials:** Trunnion and Base: 4140 Rc 28-32; Bearing Block: Aluminum Bronze with/without Graphite Plugs.

Lifter Rod			Base										
D	F (flat)	Screw	W	Wa	Lo	La	K	Js	d	d1	Dw	M	H
20	7	M10x70	76	60	85	30	55	M10	8.6	14	8	M10	52
25	9.5	M12x70	81	65	95	40	65	M10	8.6	14	8	M10	57
30	12	M12x70	88	72	110	50	80	M10	8.6	14	8	M10	60

**Catalog Number:** KOCUF 30 S 0 G

D (Lifter Rod Dia.) → 30

a (0 - 10 degrees) → 0

G = Graphite; X = No Graphite